

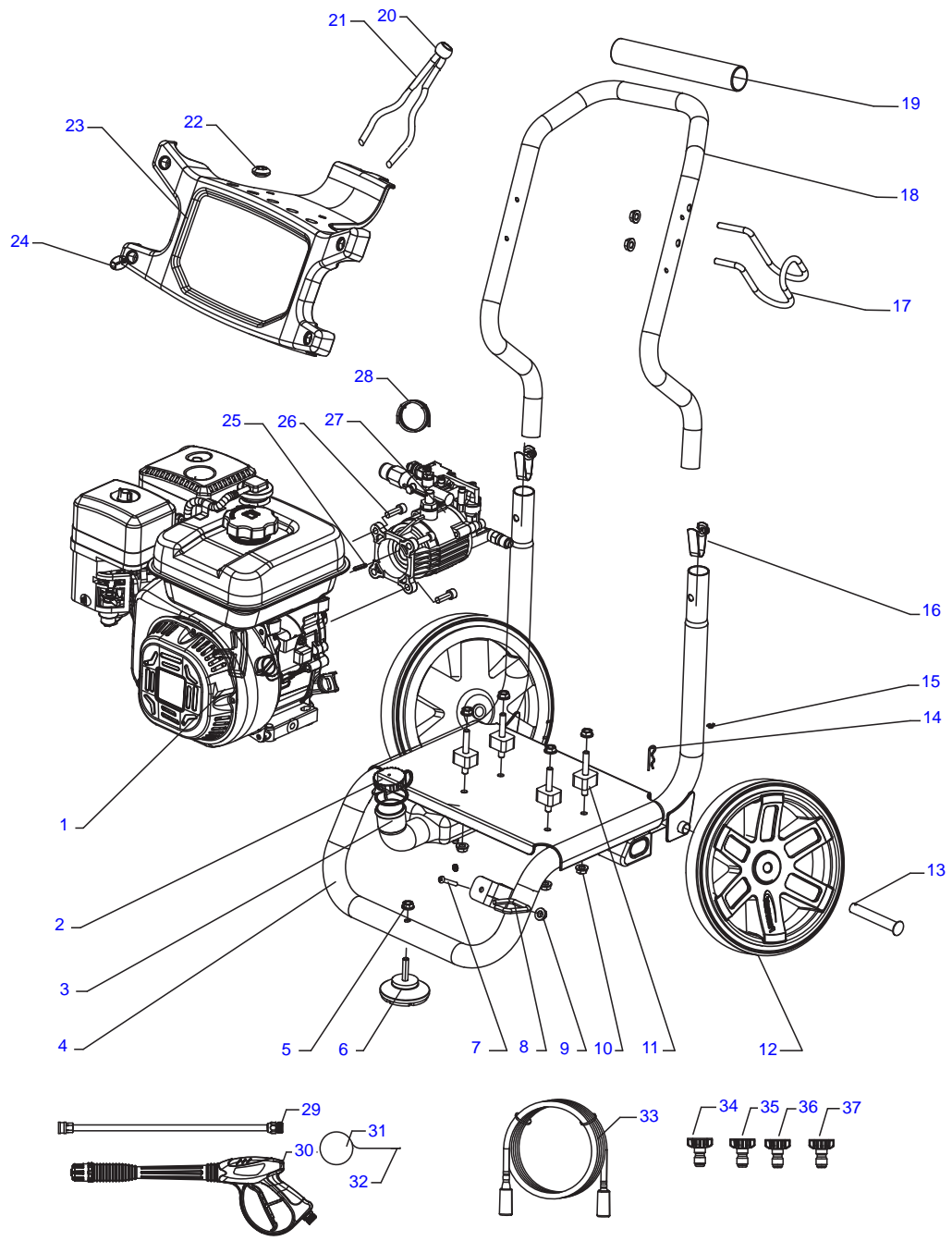


# *2800 PSI Power Washer*

## *Parts Manual*

The information in this manual is accurate based on products produced at the time of publication. The manufacturer reserves the right to make technical updates, corrections, and product revisions at any time without notice.

**[www.powermate.com](http://www.powermate.com)**  
**1-800-445-1805**



008032

ITEM	PART NO.	DESCRIPTION	QTY
1	10000021503	ENGINE 208CC	1
2	10000028151	SOAP TANK CAP	1
3	10000028381	SOAP TANK	1
4	10000027578	FRAME BASE	1
5	10000027567	LOCK NUT M8	1
6	10000027640	FRAME ISOLATING FOOT	1
7	10000027622	SCREW M6X45MM	1
8	10000027568	LOWER GUN BRACKET	1
9	10000027651	LOCK NUT M6	3
10	10000004612	NUT M8	8
11	10000027652	VIBRATION ISOLATOR ENGINE MOUNT	4
12	10000028129	WHEEL	2
13	10000027641	WHEEL AXLE	2
14	10000027618	HAIR PIN	2
15	10000027667	CLIP	3
16	10000027642	DETENT SPRING	2
17	10000027608	UPPER GUN HOOK	1
18	10000027872	FRAME HANDLE	1
19	10000028136	FOAM GRIP	1
20	10000028096	HIGH PRESSURE HOSE STRING KNOT	1
21	10000028079	HIGH PRESSURE HOSE STRING	1
22	10000028334	NOZZLE GROMMET	1
23	10000027684	PANEL	1
24	10000027681	PLASTIC RIVETS	4
25	10000027674	FLAT KEY	1
26	10000027668	BOLT M8X20MM	4
27	0K5580	WATER PUMP	1
28	10000027710	SIPHON TUBE	1
29	10000027629	WAND	1
30	10000027687	SPRAY GUN	1
31	10000027690	NOZZLE CLEANER	1
32	10000027647	NOZZLE CLEANER SHEATH	1

ITEM	PART NO.	DESCRIPTION	QTY
33	10000027675	HIGH PRESSURE HOSE	1
34	10000027858	NOZZLE 0°	1
35	10000027648	NOZZLE 25°	1
36	10000027635	SOAP NOZZLE	1
37	10000027710	NOZZLE 40°	1

---

Part No. 10000027157      Rev. A 04/06/2018  
©2018 Powermate, LLC. All rights reserved.  
Specifications are subject to change without notice.  
No reproduction allowed in any form without prior written  
consent from Powermate, LLC.



Powermate, LLC  
S45 W29290 Hwy. 59  
Waukesha, WI 53189  
1-800-445-1805  
[www.powermate.com](http://www.powermate.com)